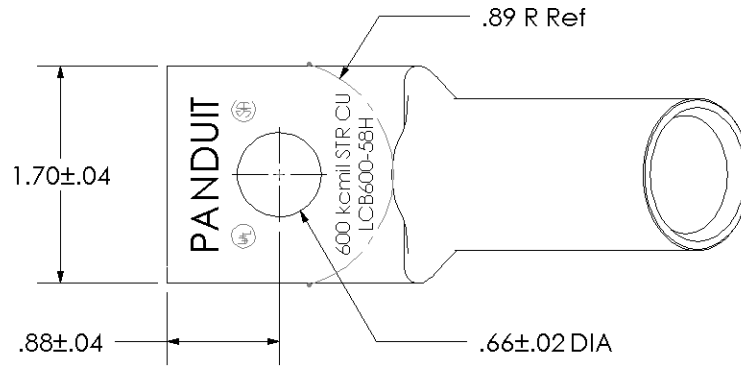
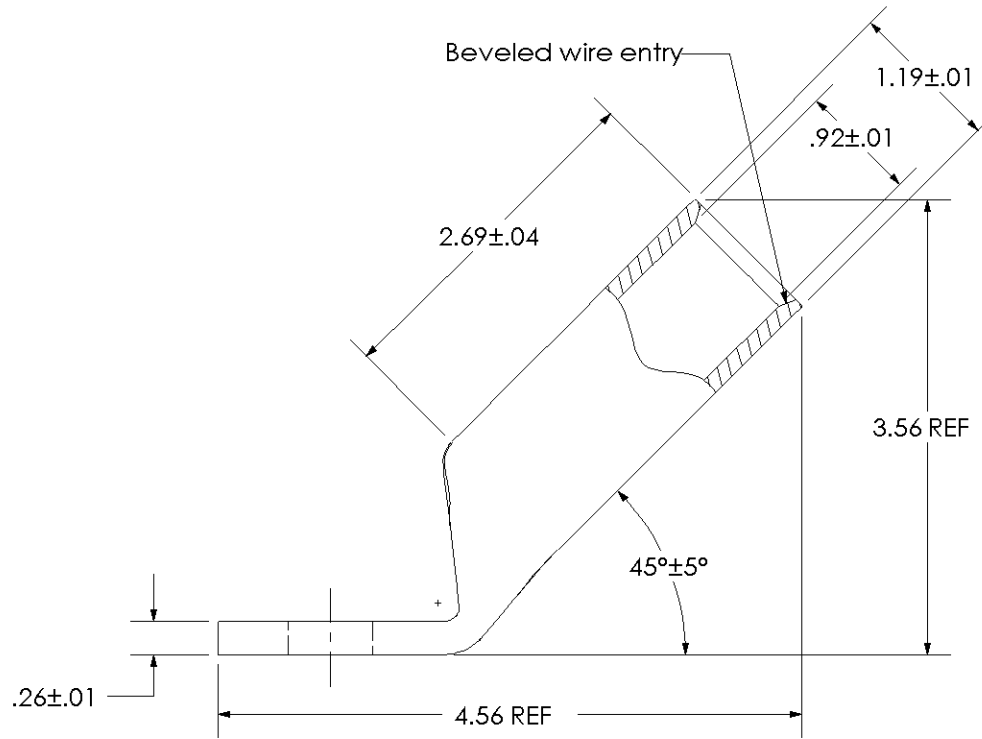


THIS COPY IS PROVIDED ON A RESTRICTED BASIS AND IS NOT TO BE USED IN ANY WAY DETRIMENTAL TO THE INTERESTS OF PANDUIT CORP.

| | |
|--|--|
| Material | High Conductivity Seamless Copper Tube |
| Plating | Electro-Tin |
| Wire Size | 600 kcmil |
| Wire Type | Stranded Copper; Class B: Compact, Compressed or Concentric, Class C: Concentric |
| Wire Strip Length | 2-3/4 in. |
| Stud Size | 5/8 in. |
| UL Listed Wire Connector | Yes, for applications up to 35kv. Consult cable manufacturer for voltage stress relief instructions with applications greater than 2000 volts. |
| UL Temperature Rating | 90° C |
| C.S.A Certified Wire Connector | Yes |
| Panduit Color Code on Barrel | GREEN |
| Panduit Die Index No. on Barrel | P94 |
| Alternate Industry Die Index No. () on Barrel | (22) |



Color coded barrel markings



| | | | |
|-----|-------|-----|-----|
| 00 | 12/02 | SAB | DRL |
| REV | DATE | BY | CHK |

| | |
|----------|-------------|
| RELEASED | DESCRIPTION |
|----------|-------------|

| | | | | |
|-------|-------|-----|-----------------------|-----------------|
| 10328 | SCALE | N/A | DRAWING NO / CAD FILE | LCB600-58H-CUST |
|-------|-------|-----|-----------------------|-----------------|

PANDUIT CORP. TINLEY PARK, ILLINOIS

LCB600-58H-6

Copper Lug - One-Hole, Long Barrel, 45° Angle Tongue